

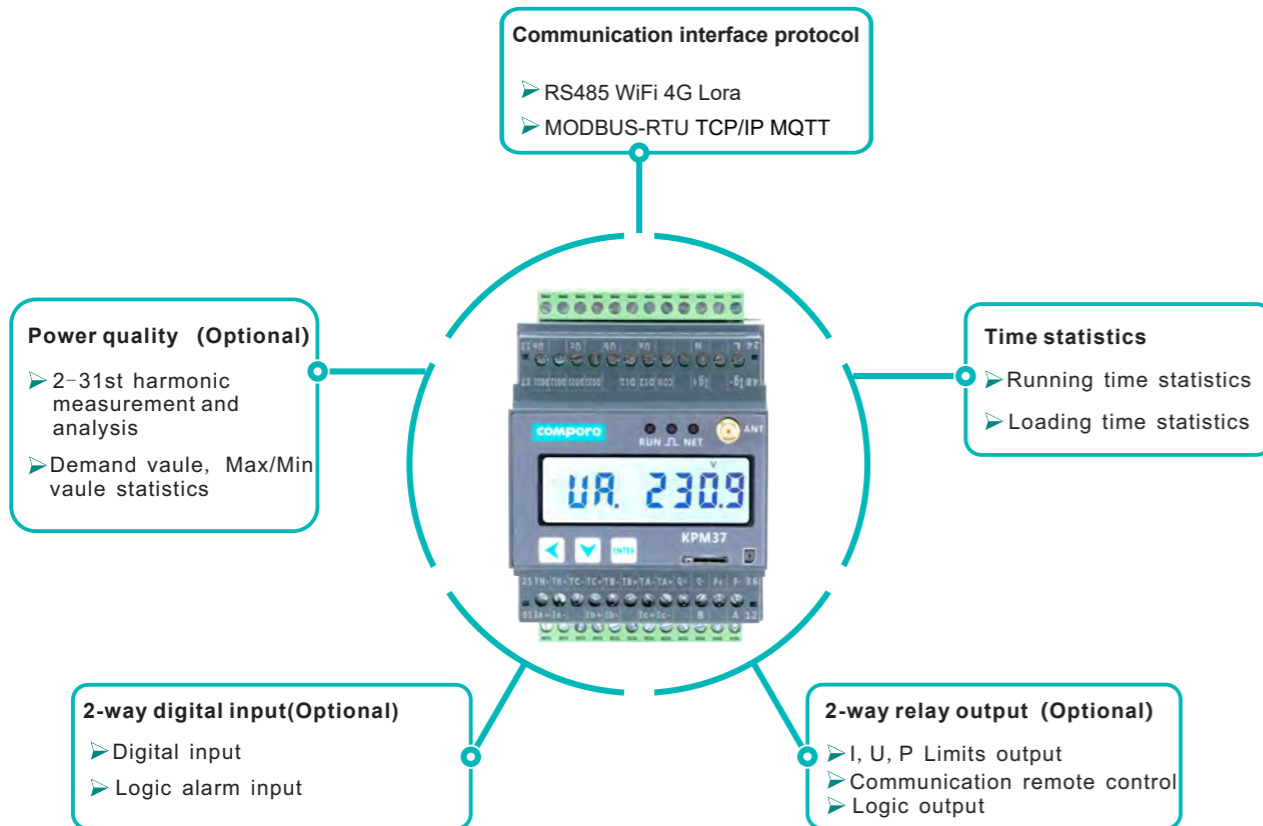
KPM37 Three Phase DIN Rail Smart Power Meter



KPM37 Three Phase Rail Smart Power Meter adopts DIN 35MM rail type installation structure and LCD display. It integrates three-phase electric parameter measurement, 2~31st harmonic analysis and time statistics. KPM37 default communication is Modbus-RTU by RS485 interface. WiFi, 4G, Lora communication are optional. The meter can also expand 2-way digital input and 2-way relay output, 4-way temperature measurement and 1 way residual current measurement.

KPM37 has the advantages of small size, high accuracy, high reliability, easy installation, etc. It is mostly used for projects for system integration, wire line modification and in limited or inconvenient installation space, etc.

Product Features

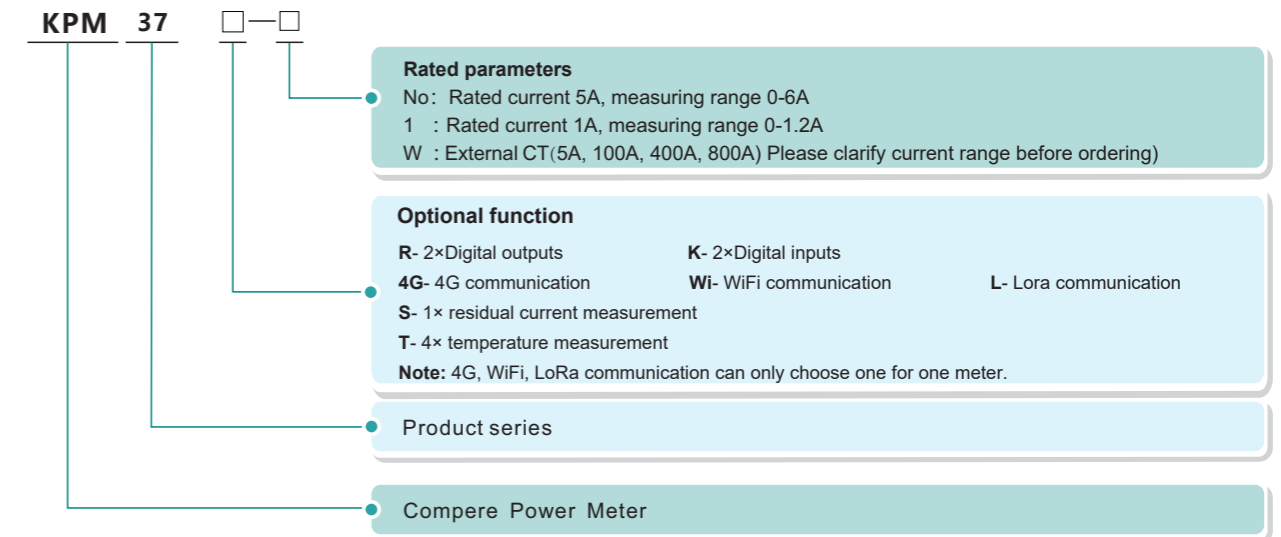


Function features



- Measuring three-phase AC voltage, current, 4 quadrant power, power factor, frequency, demand, max & min value etc.
- Programmable voltage current transformation ratio
- Running time, loading time statistics
- 2-31st harmonic calculation& analysis
- Default Modbus-RTU communication by RS485 interface
- Expandable 2 × DI and 2 × DO
- Expandable Temperature measurement and residual current measurement
- Optional WiFi / 4G/ Lora wireless communication
- Excellent temperature characteristics and work stability
- 7+1digits LCD screen display

Standard of optional type



Application occasion

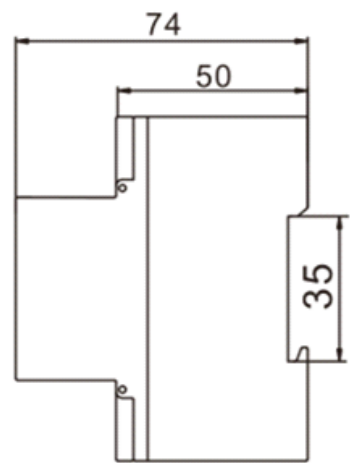
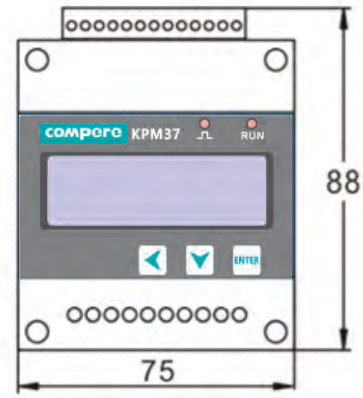
Energymangement system integration

Old project or wire line modification

Projects with limitedspaceor inconvenient installation

Projects with limitedspaceor inconvenient installation

Product size **Technical Parameters**

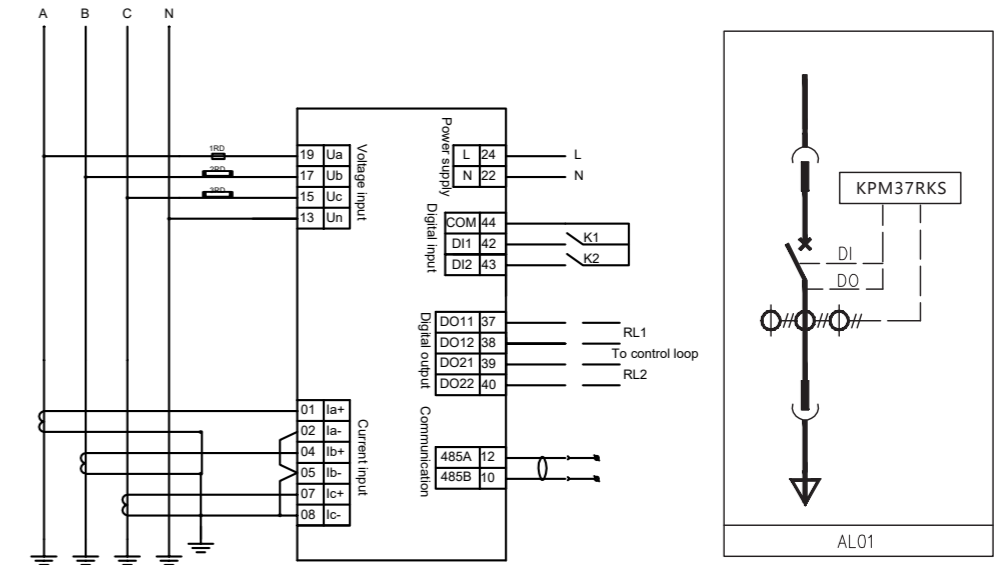


Working power source	Operating Voltage	AC85~265V/DC80~300V
	Rated power	< 3VA
Input voltage	Rated voltage	57.7/100VAC,220/380VAC 380V/660V (Customized)
	Overload capacity	1.2 times rated voltage allowed, continuous work; 2 times the rated voltage allowed 1second
	Power consumption	<0.5VA/phase(rated)
	Measurement range	L-N: 10~380VAC,LL:90~660VAC
Input current	Frequency range	45~65Hz
	Rated current	Default5A, Input range 1-6A ,Optional 1A ,Input range 1-1.2A
	Overload capacity	1.2 times rated current allowed, continuous work; 20 times the rated current allowed 1 second
	Power consumption	<0.75VA/phase (Rated current 5A) ;<0.25VA/phase (Rated current 1A)
Input/ Output	Frequency range	45~65Hz
	Switchinput	2-way passive main line contact DI input, internal supply DC24V power source
Power quality monitor	Relay output	2-way DO output, Contact capacity 250VAC/5A, 30VDC/5A
	Harmonic measurement	Voltage/current 2~31st harmonic distortion rate,total harmonic distortion rate
	programmable voltage current transformation ratio	Phase voltage,phase current
	Harmonic distortion rate (THD)	voltage,current
Measurement accuracy	Voltage	±0.2%(0.01V)
	Current	±0.2%(0.01A)
	Active power	±0.5%(0.1W)
	Reactive power	±2.0%(0.1var)
	Apparent power	±0.5%(0.1VA)
	Active energy	0.5S(0.1kWh)
	Reactive energy	±2.0%(0.1kvarh)
	Power factor	±0.5%(0.001)
Communication interface	Frequency	±0.02Hz(0.01Hz)
	Communication interface	RS485 / WIFI / 4G/ Lora
Communication interface	Communication protocol	Modbus-RTU, DL/T645-2007, MQTT, 1200~38400bps
	Power frequency withstand voltage	AC2kV/min~1mA Input-output-power source
	Insulation resistance	>50MΩ
Working environment	Impact voltag	5kV(Peak),1. 2/50us
	Operating temperature	-25°C~+70°C
Electromagnetic Compatibility	Relative humidity	5%~95% No condensation
	Storage temperature	-30°C~+75°C
Electromagnetic Compatibility	Altitude	No more than 3000m
	Surge (impact) immunity	GB/T 17626.5-2008,Level4,IEC61000-4-2, level 4
	Fast pulse group immunity	GB/T 17626.4-2008,Level4,IEC61000-4-5, level 4
	Electrostatic discharge immunity	GB/T 17626.2-2006,Level4,IEC61000-4-4, level 4
Electromagnetic Compatibility	Power frequency magnetic field immunity	GB/T 17626.8-2006,Level4,IEC61000-4-8, level 4

Typical wiring

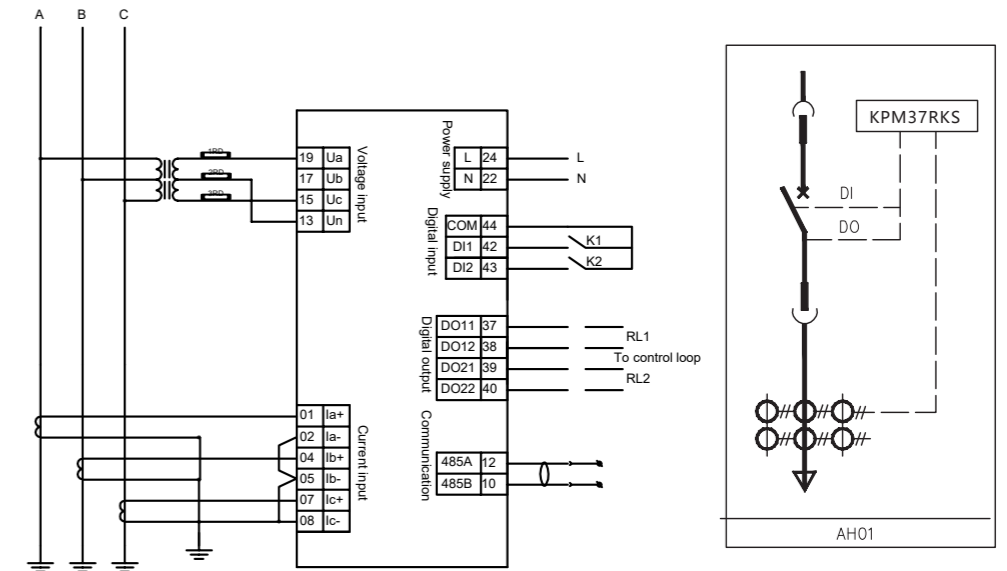
Four lines star system: Direct wiring without PT voltage transformer (device set to P4L)

For system phase voltage <265V



Triangle system: 2 voltage transformer(PT), 3 current transformers(CT) (device set to P3L3)

For system secondary line voltage <265V



Note:

1. Terminals without function description are invalid
2. The final interpretation is owned by Henan Compere Smart Technology Co.,Ltd.